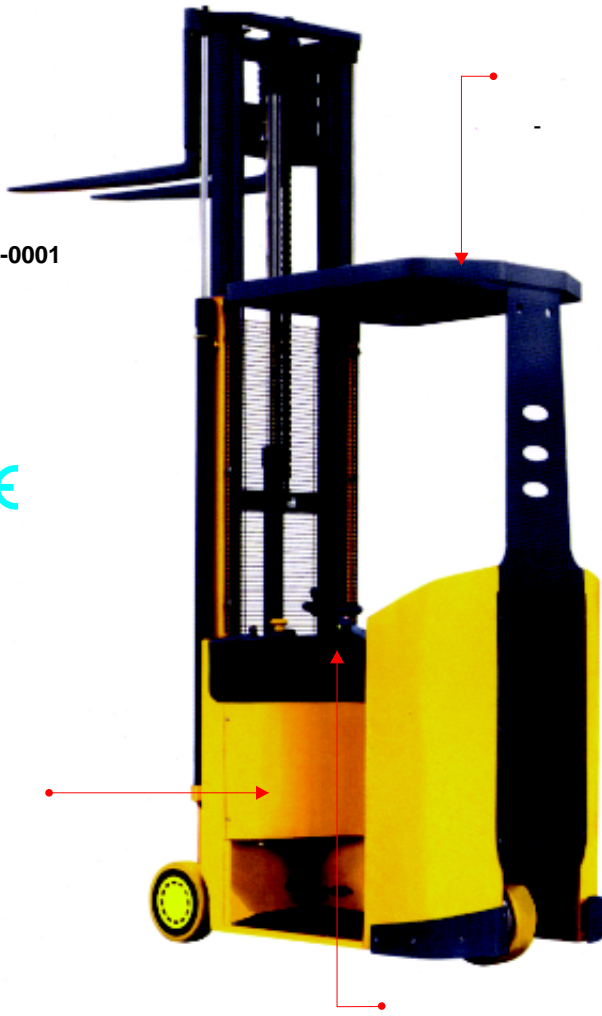
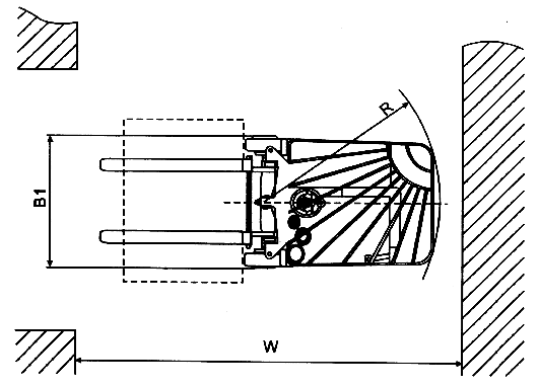
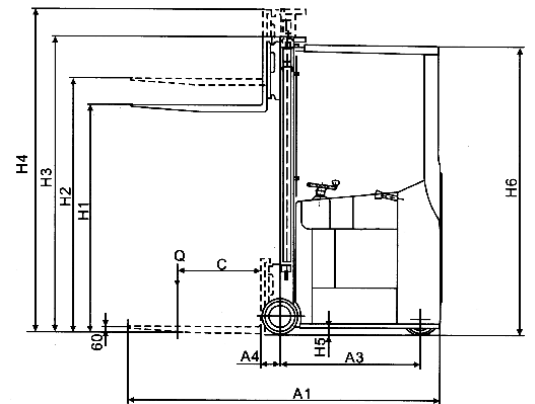


CPD10A
CPD10B

: 000469739-0001



a.



- 1140

MOSFET

		CPD10A	CPD10B
	(Q)	1.0	1.0
	()	600	500
a	(4)	140	180
	(3)	975	1050
		2050	2150
	(1)	1600	~
	(2)	3000	5000
	(3)	2155	2250
	(4)	3565	5600
	(5)	50	50
	(6)	2090	2090
	(A1)	2210	2250
	(1)	850	850
	1000x1200	2600	2600
	800x1200	2750	2750
	(R)	1140	1180
, /	/	5,8/6,0	5,8/6,0
, /	/	0,11/0,15	0,11/0,15
, /	/	0,15/0,11	0,15/0,11
/	%	8/12	8/12
		250	250
		280	280
	Kw	1.5	1.5
	Kw	3,0	3,0
/	V/Ah	24/360	24/360

✓

✓

✓

✓